

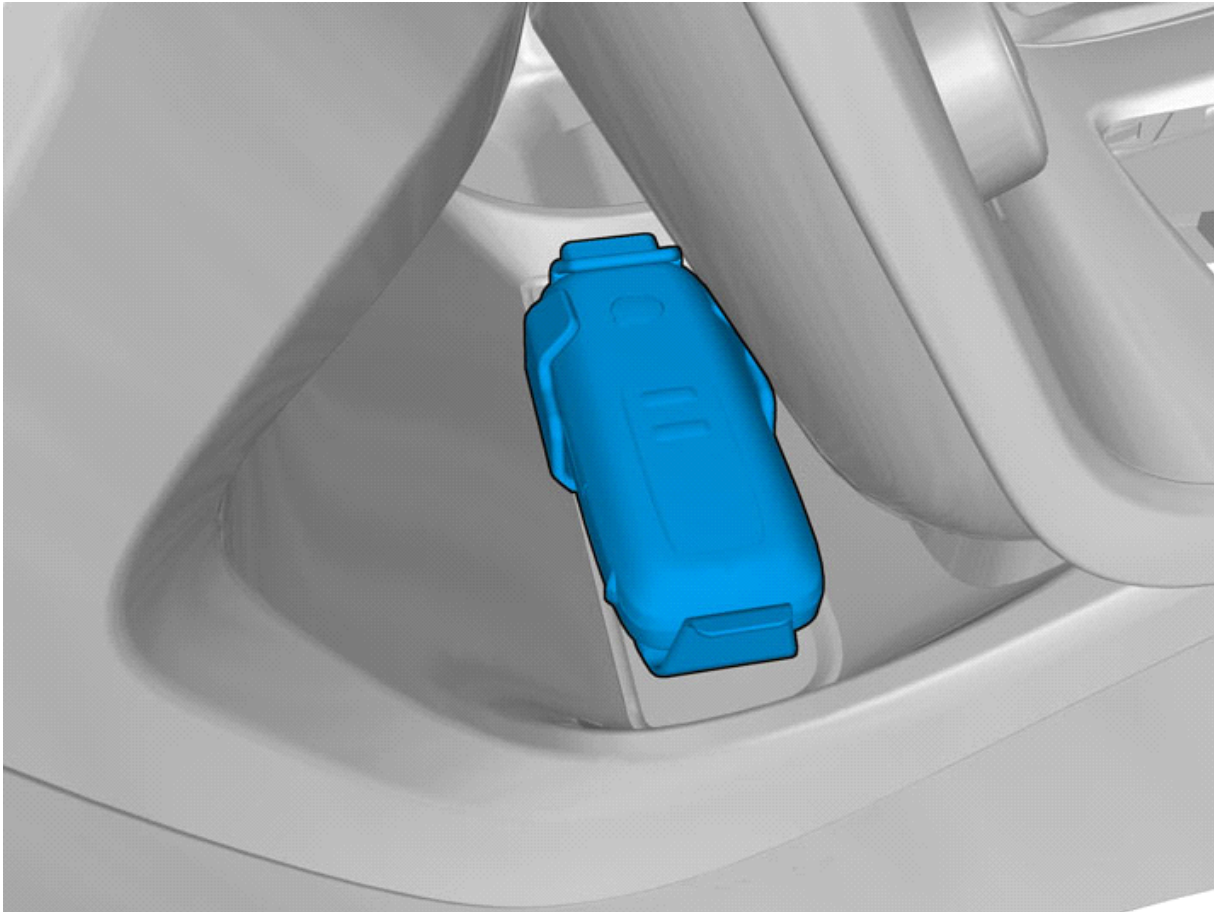


Installation instructions, accessories

Volvo Car Corporation Gothenburg, Sweden

Instruction No	Version	Part. No.
31435816	1.0	31408818

Alcoguard



IMG-349341



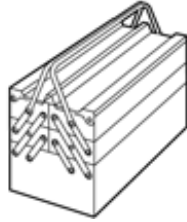
Installation instructions, accessories

Volvo Car Corporation Gothenburg, Sweden

Equipment

VIDA

IMG-242205



IMG-345497

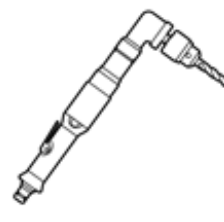


IMG-239664

Nm
lbf.ft



IMG-239660



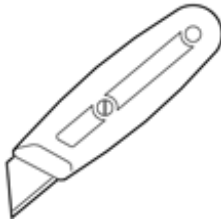
IMG-240675



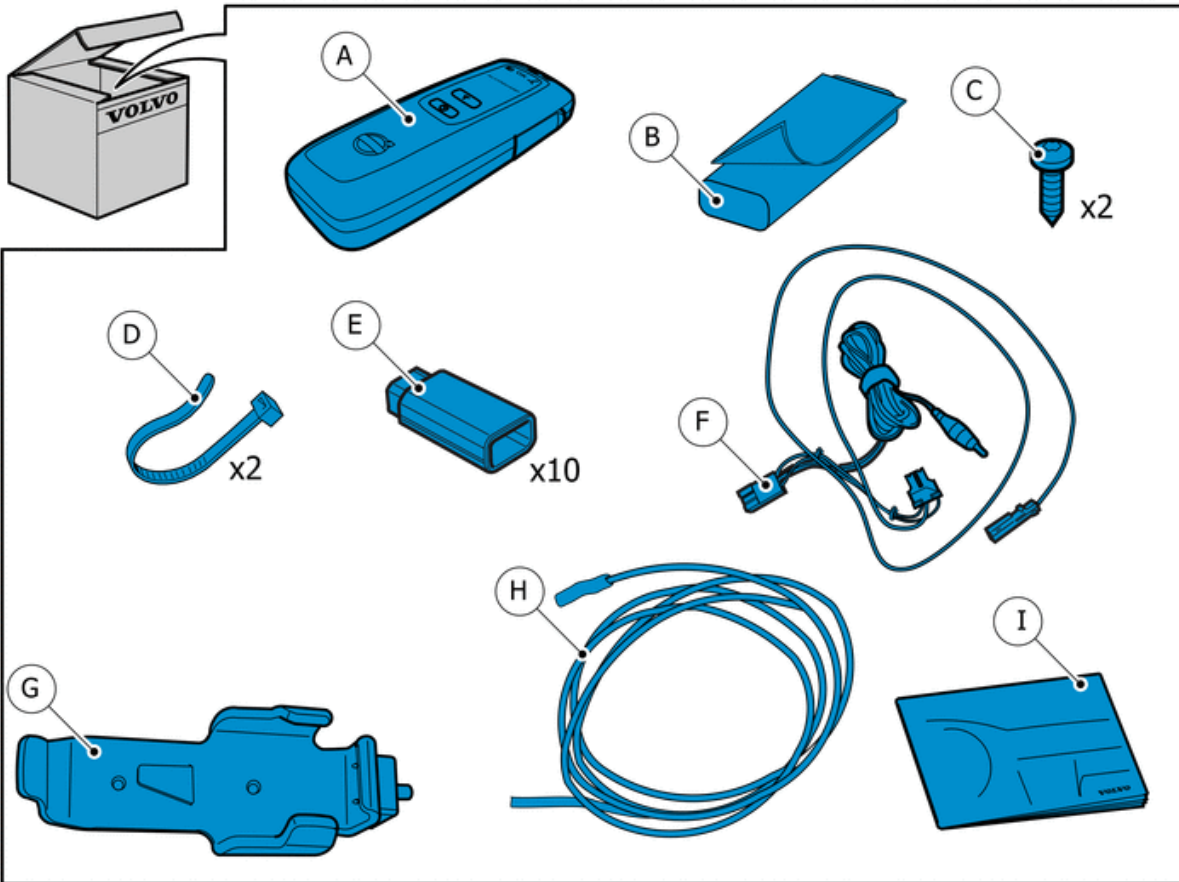
IMG-239981



IMG-240673



IMG-239980



IMG-405910



Installation instructions, accessories

Volvo Car Corporation Gothenburg, Sweden

Information

1

Read through all of the instructions before starting installation.

Notifications and warning texts are for your safety and to minimise the risk of something breaking during installation.

Ensure that all tools stated in the instructions are available before starting installation.

Certain steps in the instructions are only presented in the form of images. Explanatory text is also given for more complicated steps.

In the event of any problems with the instructions or the accessory, contact your local Volvo dealer.

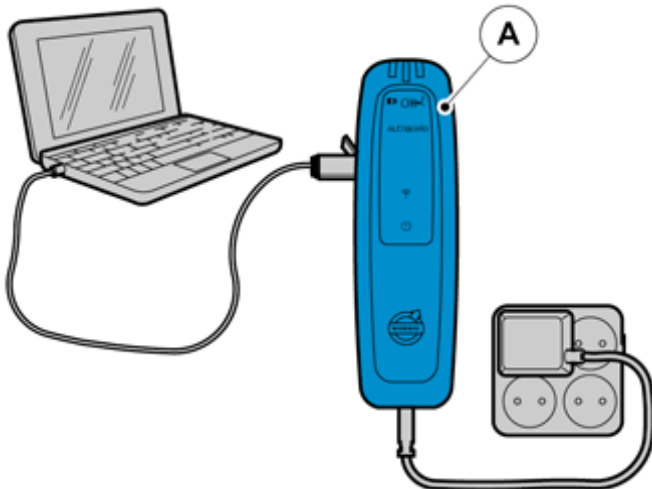
Conditions

2

Where the procedure differs, the right-hand version is also shown with text and image.

All vehicles

3



Activate and calibrate the Alcohol Analysing Start Inhibitor according to TJ (Technical Journal) 19265.

IMG-349120



Installation instructions, accessories

Volvo Car Corporation Gothenburg, Sweden

4

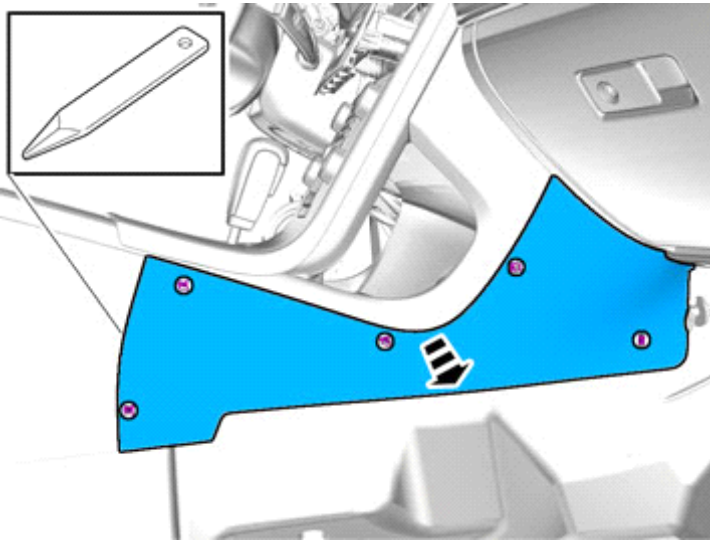
Set the ignition key to position 0.



IMG-332193

Removal

5



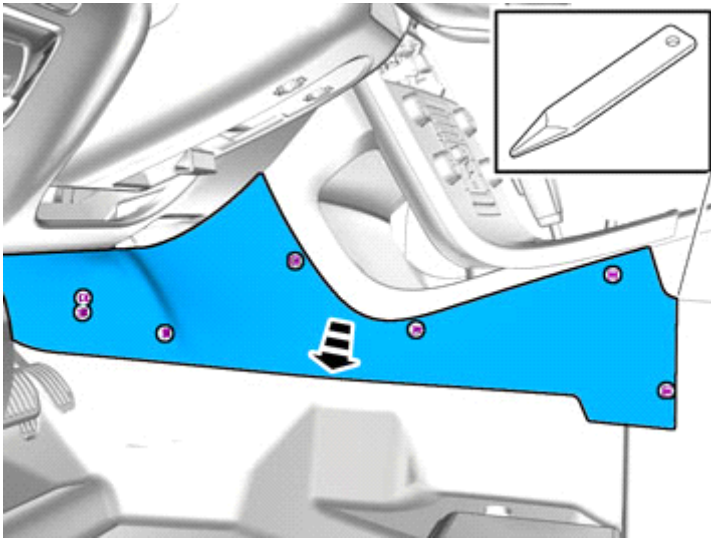
IMG-340600



Installation instructions, accessories

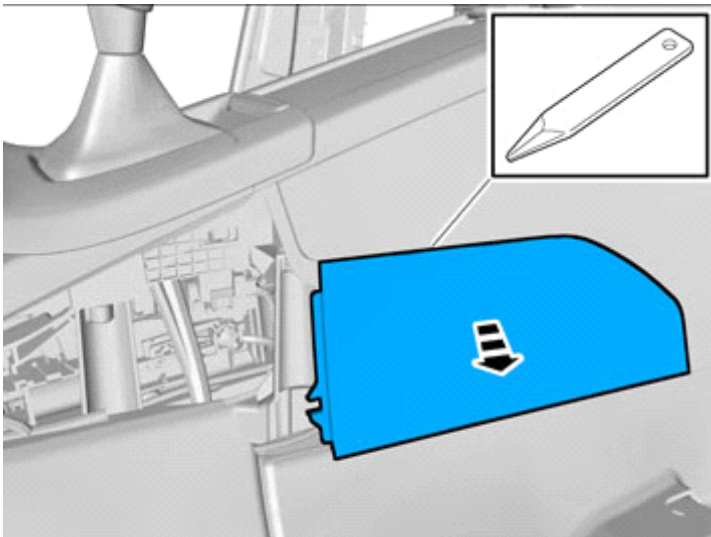
Volvo Car Corporation Gothenburg, Sweden

6



IMG-340598

7



IMG-345746

8



IMG-308353

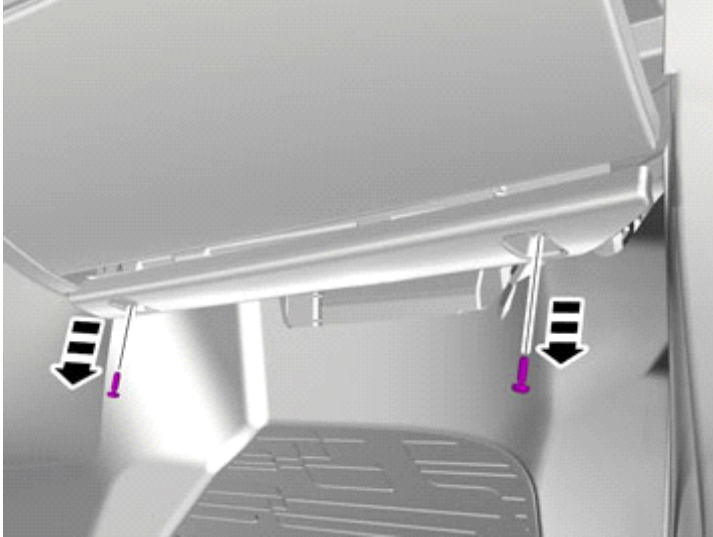
Disconnect any connector(s).



Installation instructions, accessories

Volvo Car Corporation Gothenburg, Sweden

9



IMG-348572

Remove the screws.

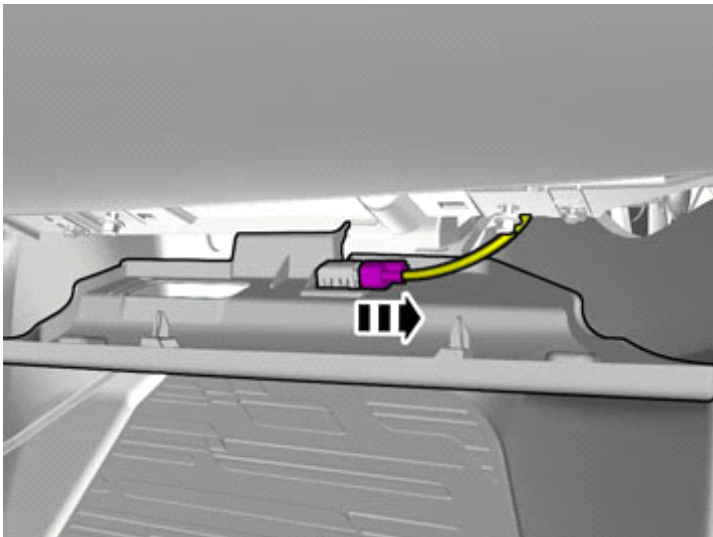
10



IMG-348840

Detach the panel.

11



IMG-348573

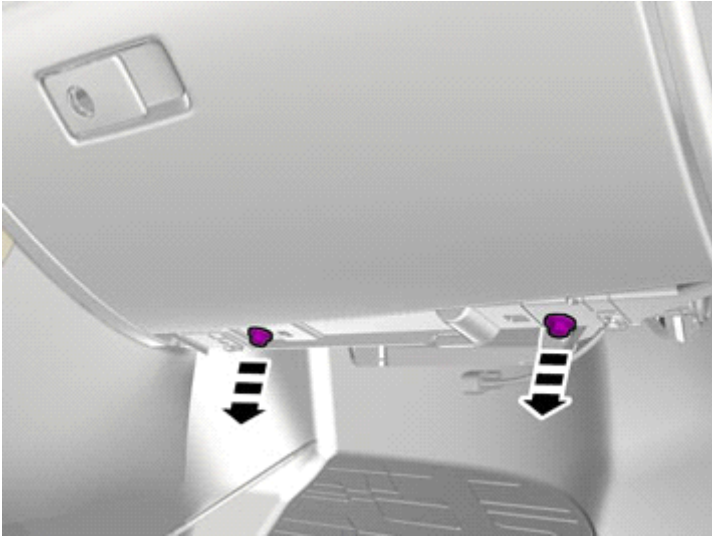
Disconnect the connector.



Installation instructions, accessories

Volvo Car Corporation Gothenburg, Sweden

12

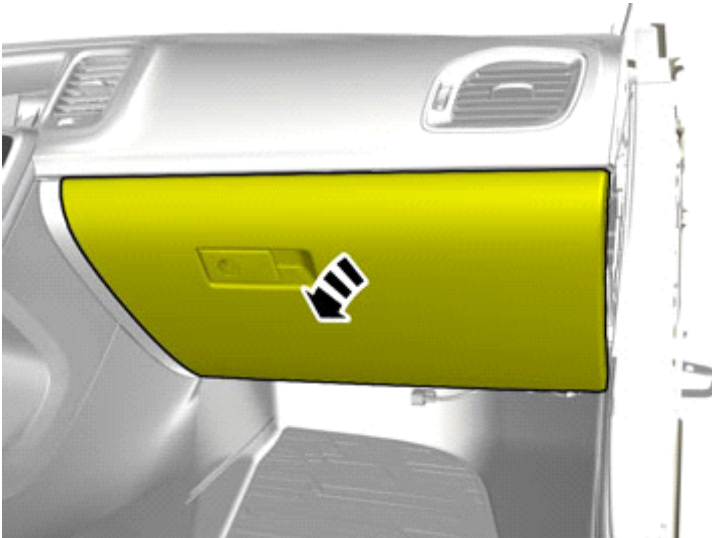


IMG-348574

Remove the screws.

Tightening torque: M6 , 10 Nm

13



IMG-348575

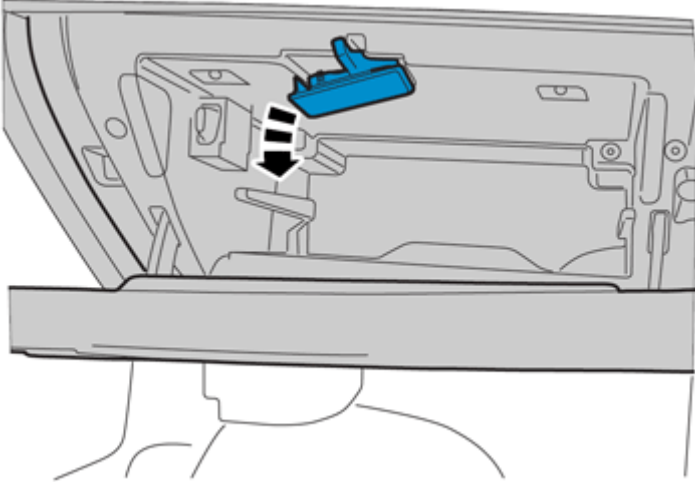


Installation instructions, accessories

Volvo Car Corporation Gothenburg, Sweden

14

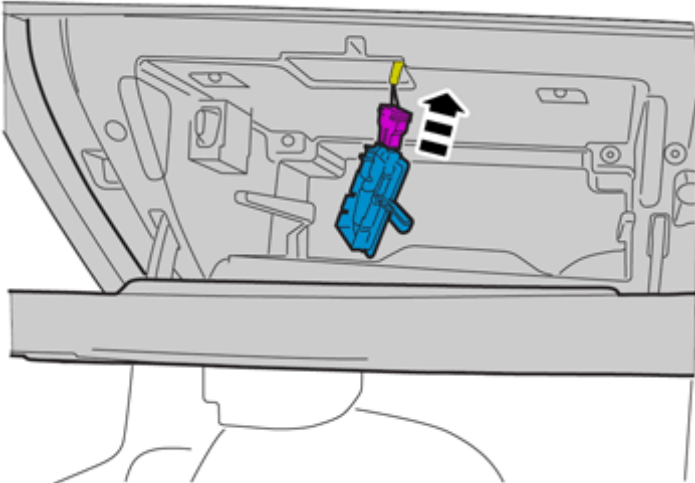
Remove the part carefully



IMG-348576

15

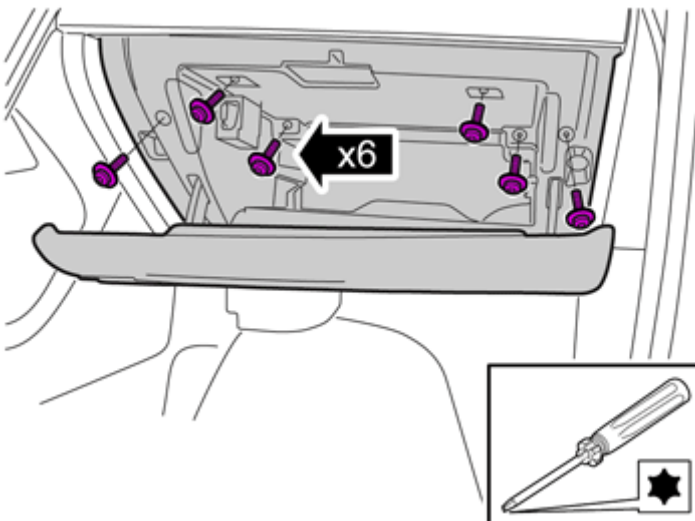
Disconnect the connector.



IMG-348577

16

Remove the screws.



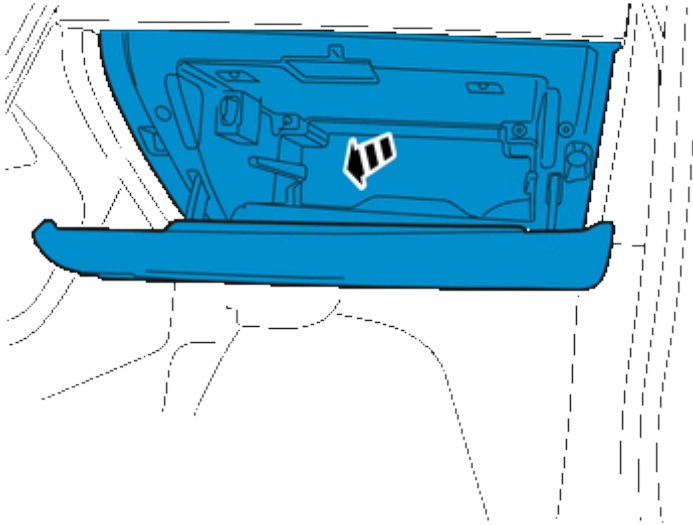
IMG-348578



Installation instructions, accessories

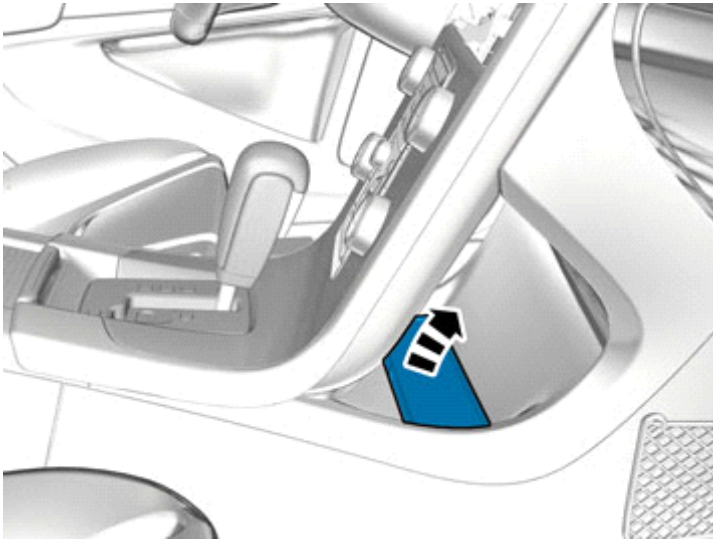
Volvo Car Corporation Gothenburg, Sweden

17



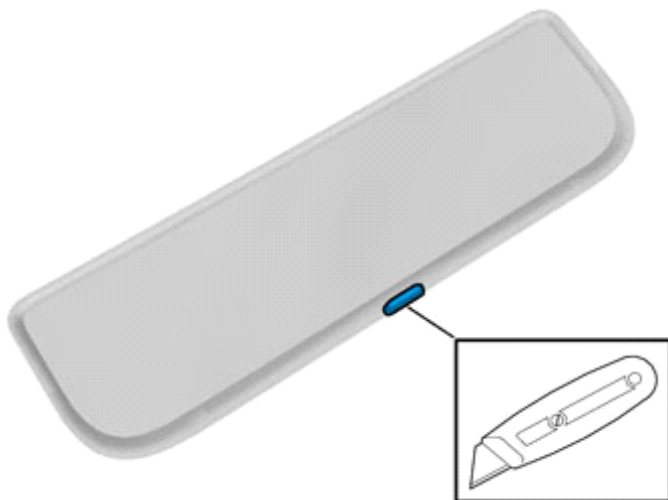
IMG-348579

18



IMG-340596

19



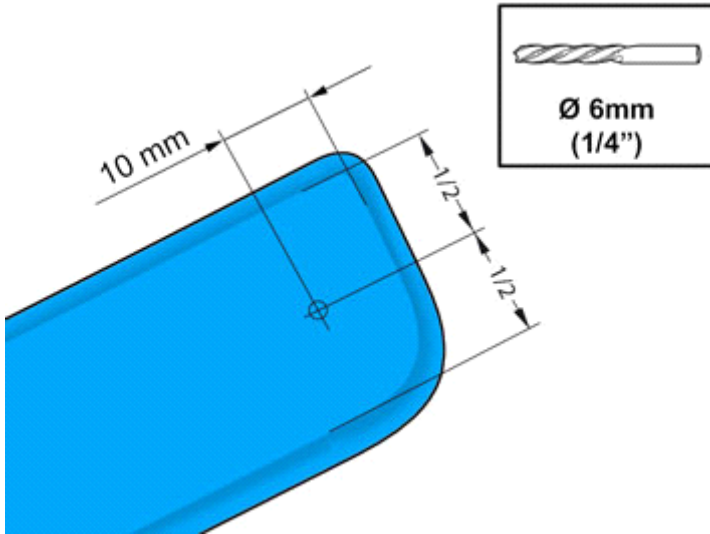
IMG-349091



Installation instructions, accessories

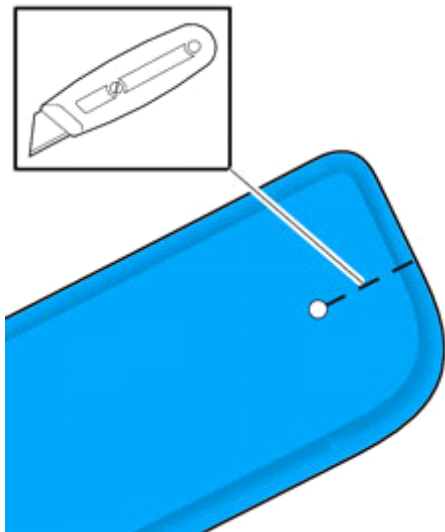
Volvo Car Corporation Gothenburg, Sweden

20



IMG-349096

21



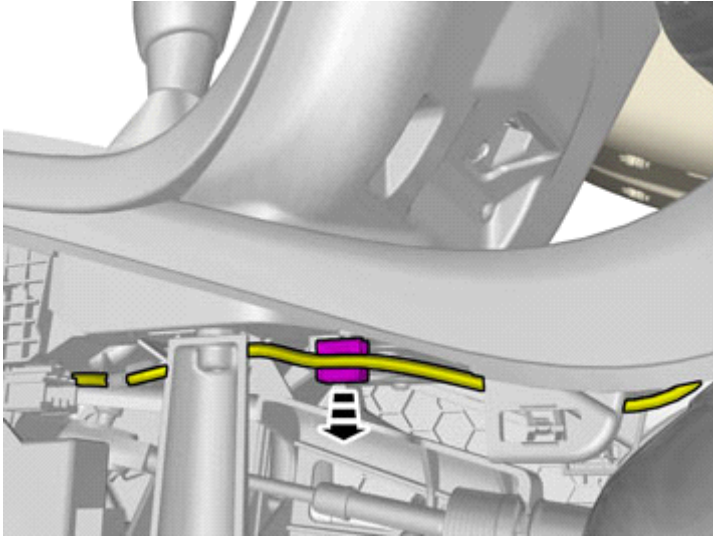
IMG-349097



Installation instructions, accessories

Volvo Car Corporation Gothenburg, Sweden

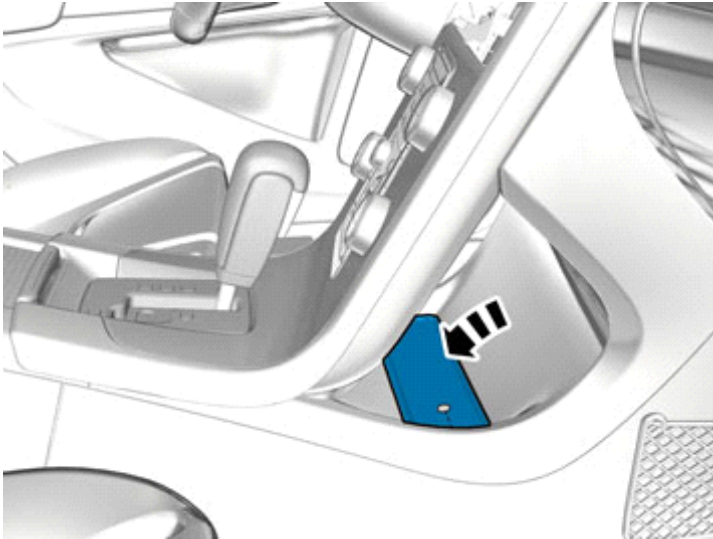
22



IMG-348580

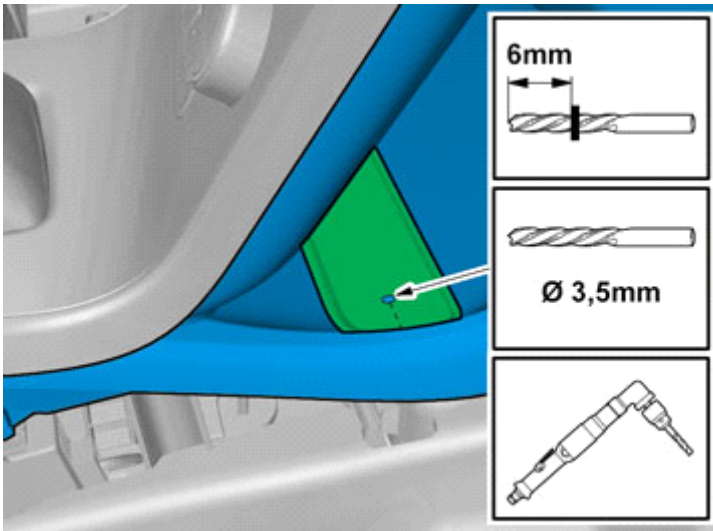
Remove the cable harness clips.

23



IMG-349126

24



IMG-349128

Caution!
Take extra care not to damage the wiring harnesses.

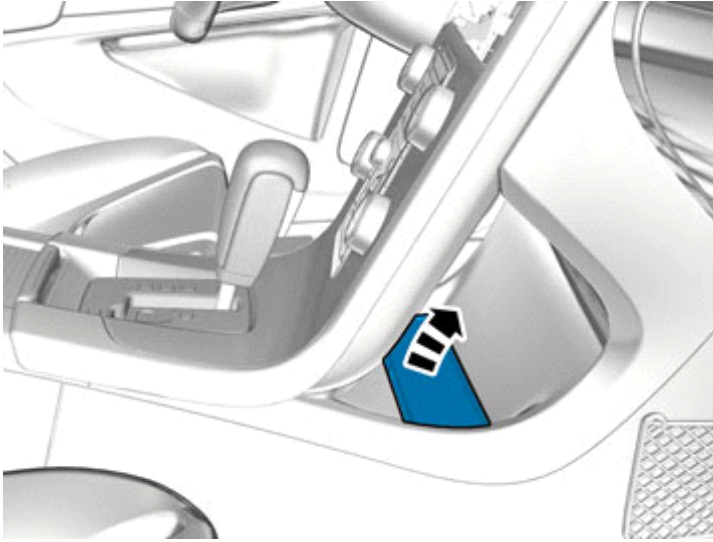
Remove the swarf.



Installation instructions, accessories

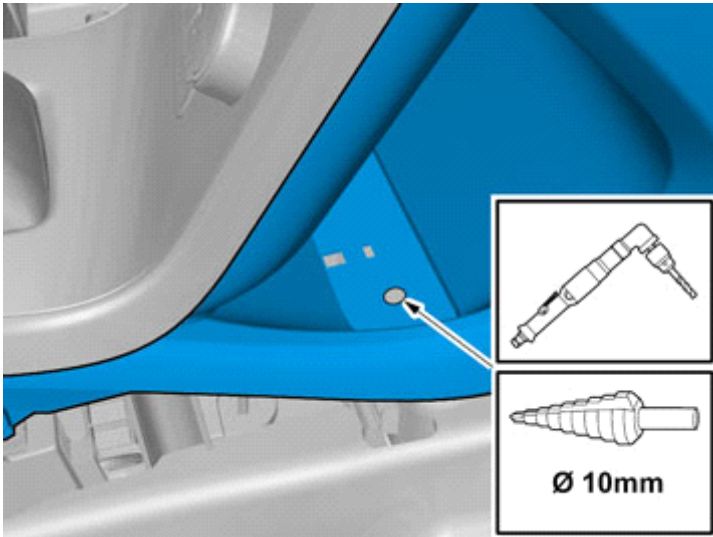
Volvo Car Corporation Gothenburg, Sweden

25



IMG-340596

26

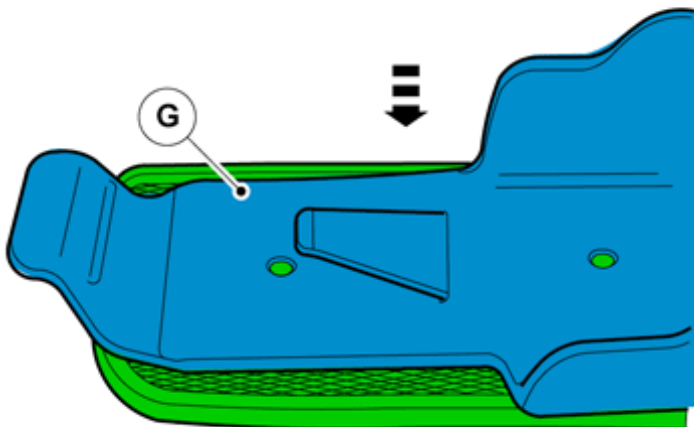


IMG-349129

Caution!
Take extra care not to damage the wiring harnesses.

Remove the swarf.

27



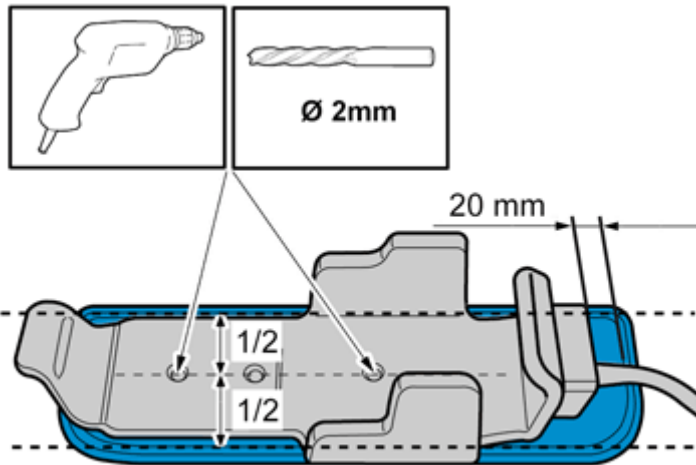
IMG-348878



Installation instructions, accessories

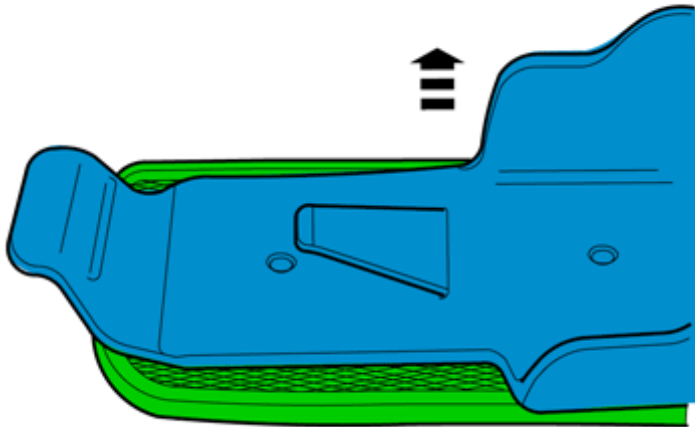
Volvo Car Corporation Gothenburg, Sweden

28



IMG-348611

29



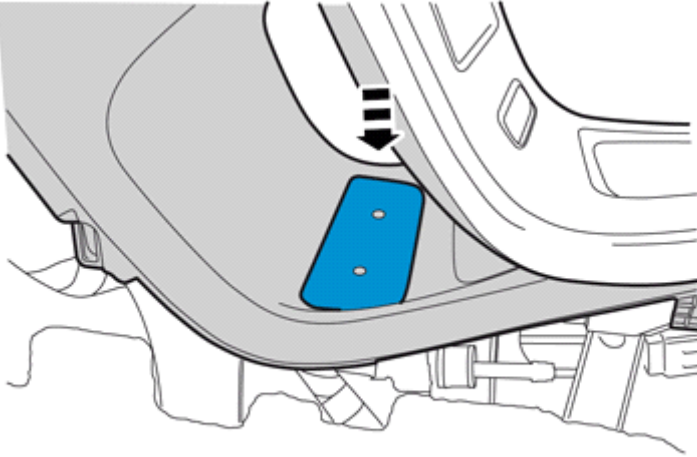
IMG-348879



Installation instructions, accessories

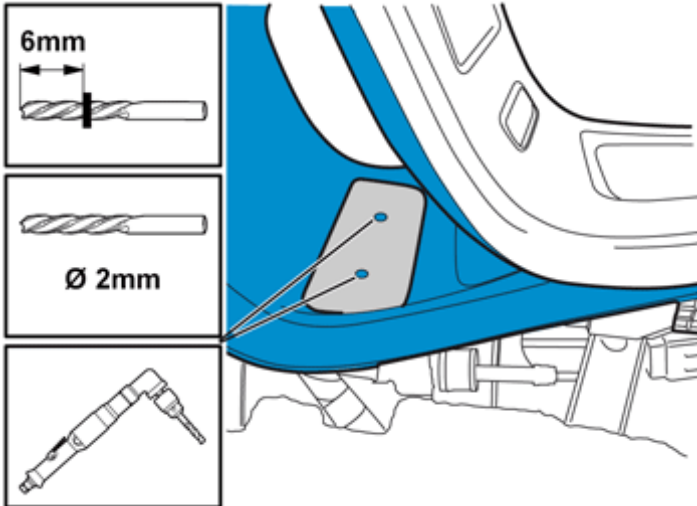
Volvo Car Corporation Gothenburg, Sweden

30



IMG-348855

31



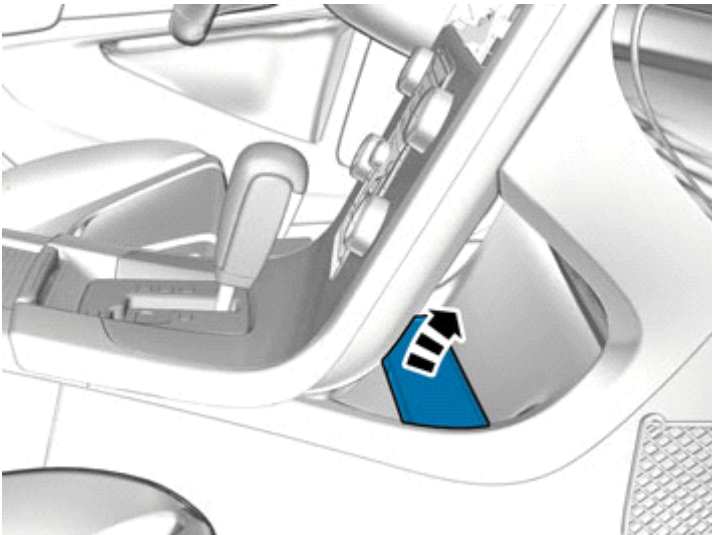
IMG-348584

Caution!

Take extra care not to damage the wiring harnesses.

Remove the swarf.

32



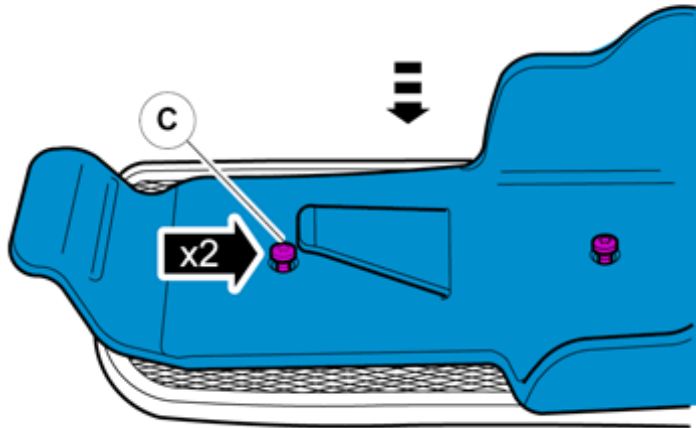
IMG-340596



Installation instructions, accessories

Volvo Car Corporation Gothenburg, Sweden

33

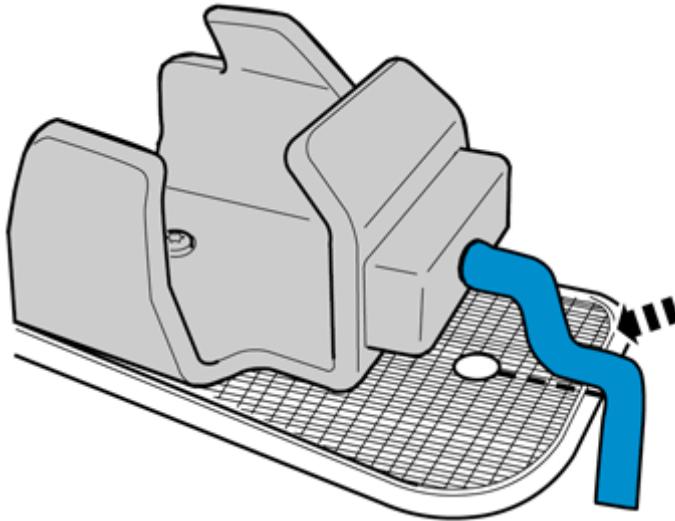


Note!
Only tighten the bolts finger tight at this stage.

Install the screws.

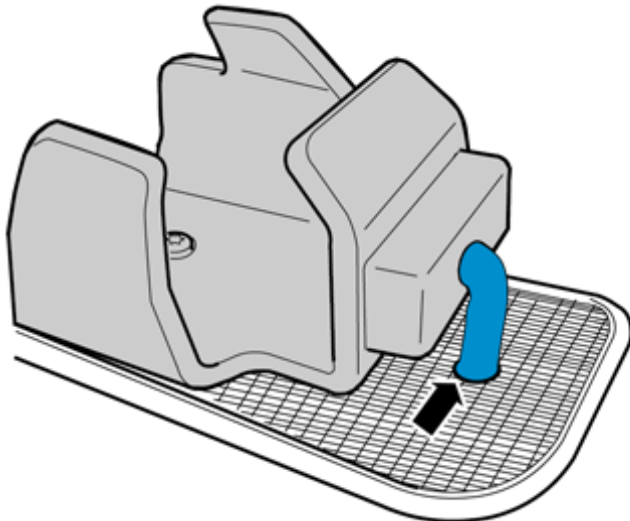
IMG-348613

34



IMG-348614

35



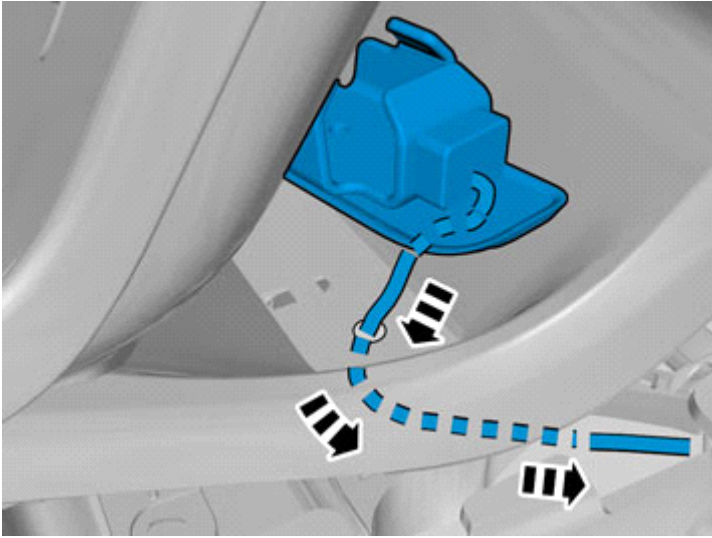
IMG-349309



Installation instructions, accessories

Volvo Car Corporation Gothenburg, Sweden

36



IMG-349216

37



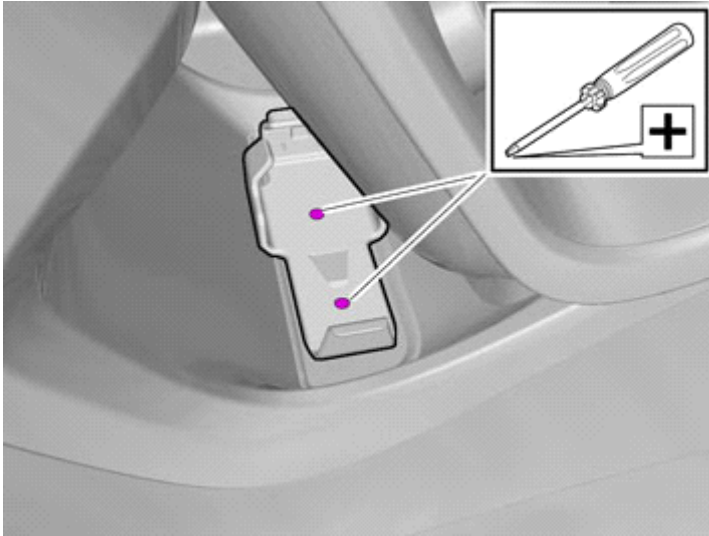
IMG-348585



Installation instructions, accessories

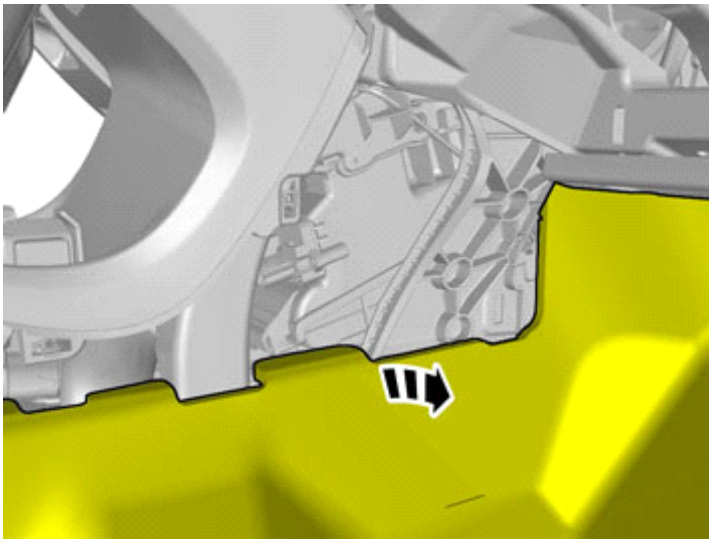
Volvo Car Corporation Gothenburg, Sweden

38



IMG-348615

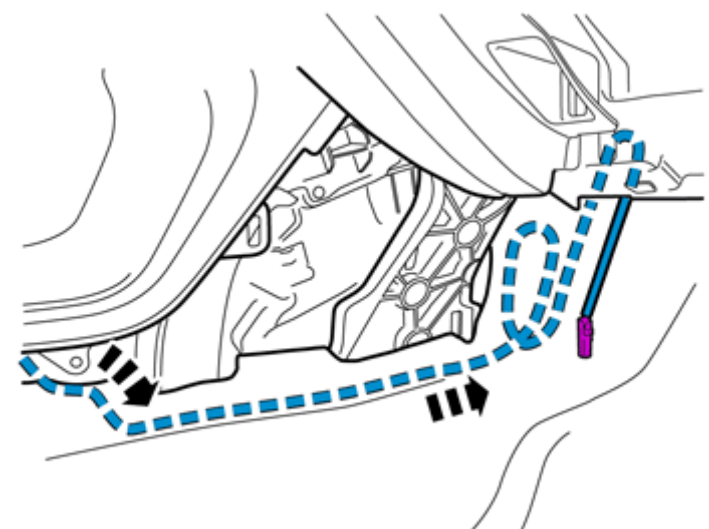
39



IMG-349310

Fold the carpet to the side.

40



IMG-349001

Place any excess inside the floor carpet.

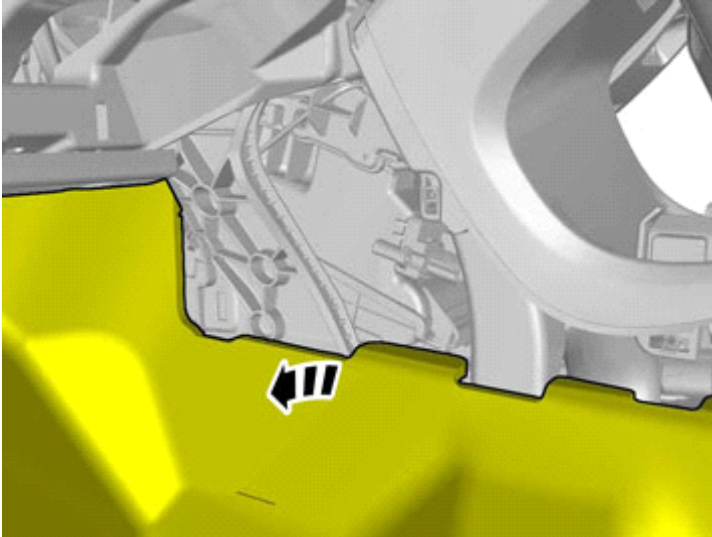


Installation instructions, accessories

Volvo Car Corporation Gothenburg, Sweden

Right-hand drive vehicles

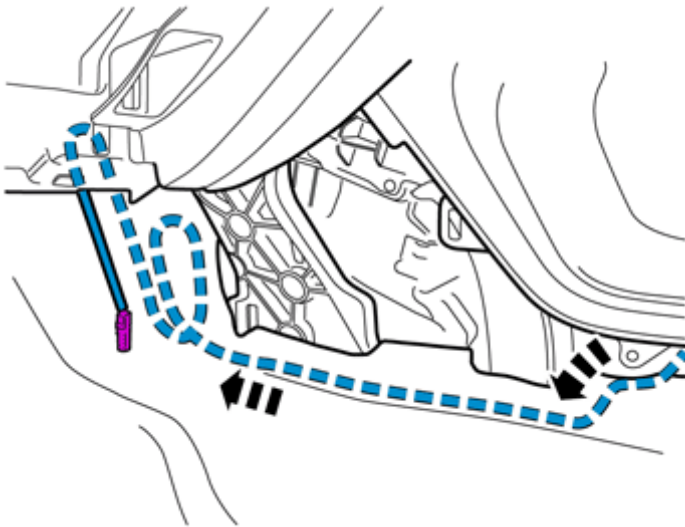
41



IMG-349337

Fold the carpet to the side.

42



IMG-349342

Place any excess inside the floor carpet.

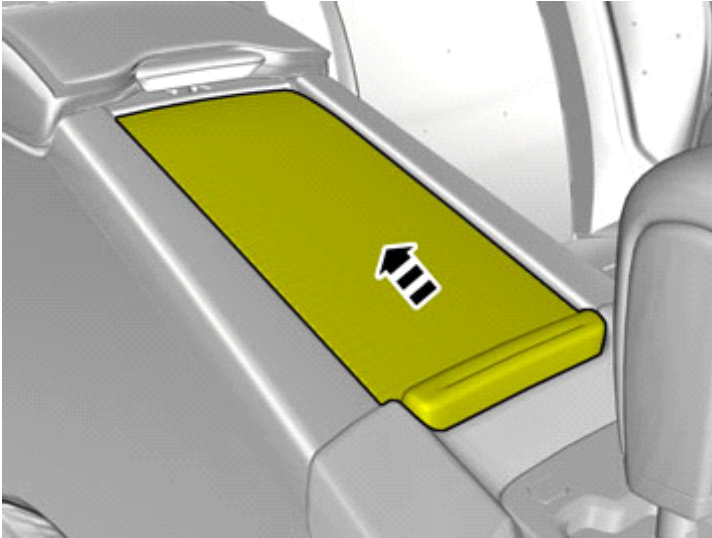
Installation in Floor Console Compartment



Installation instructions, accessories

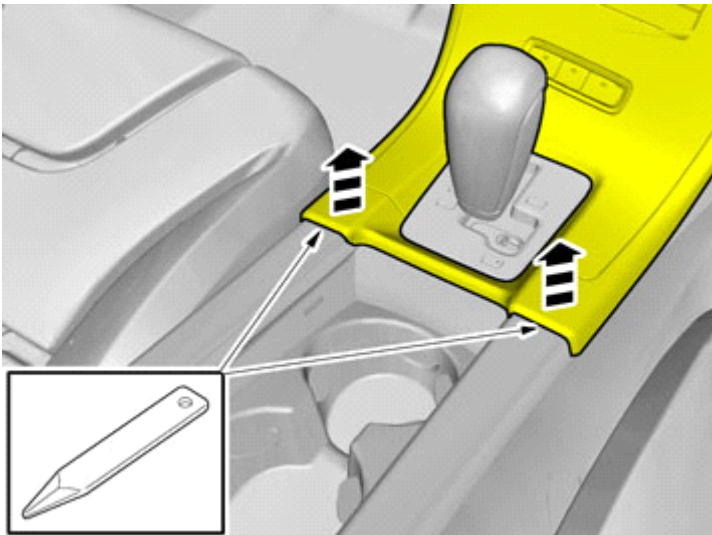
Volvo Car Corporation Gothenburg, Sweden

43



IMG-341773

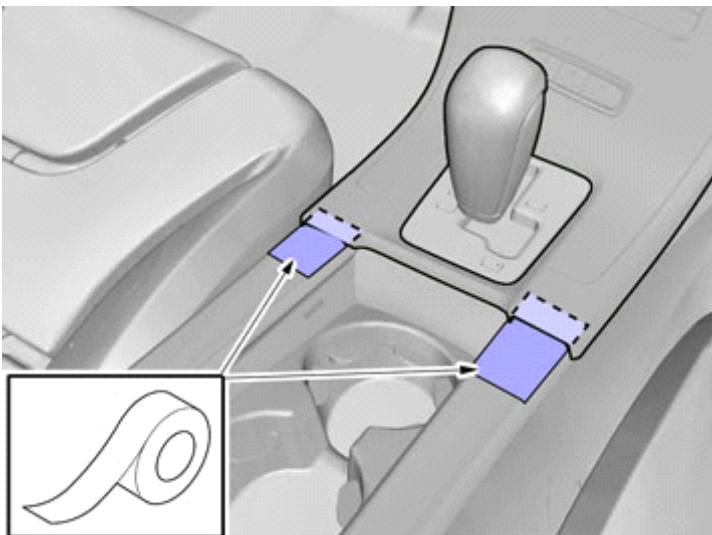
44



IMG-329154

Detach the panel.

45



IMG-348620

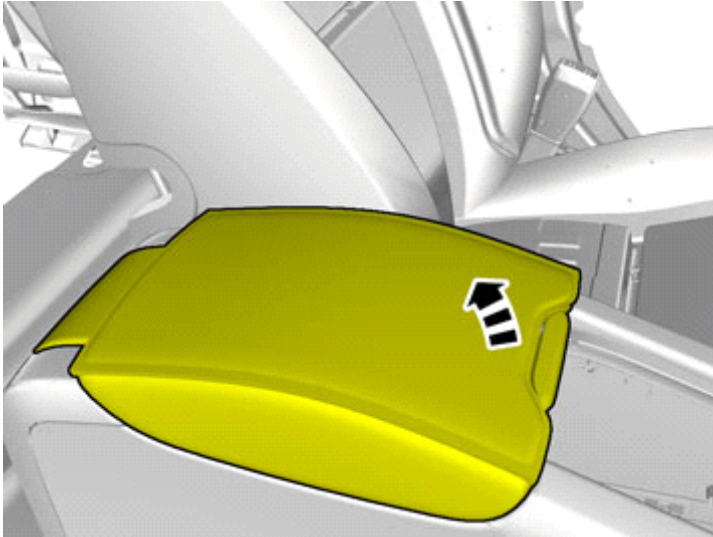
Note!
Protect adjacent components with tape.



Installation instructions, accessories

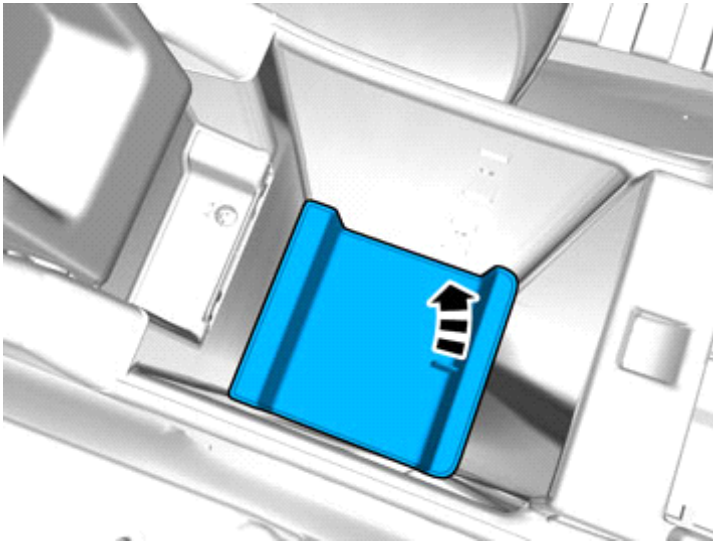
Volvo Car Corporation Gothenburg, Sweden

46



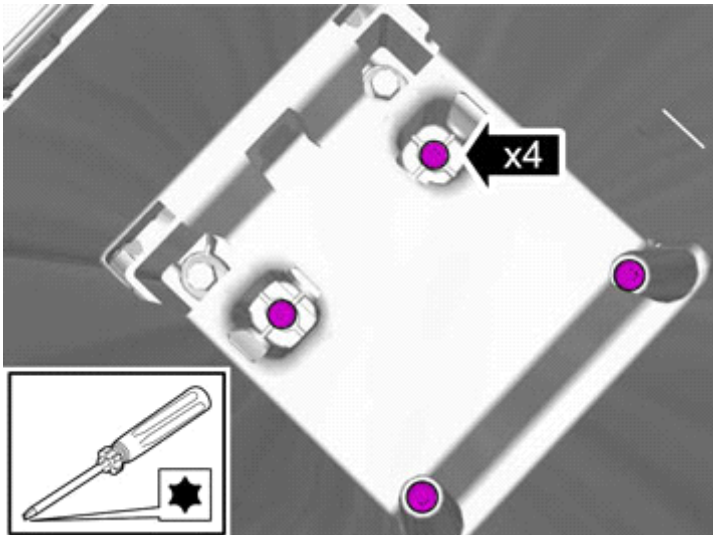
IMG-341780

47



IMG-341781

48



IMG-293023

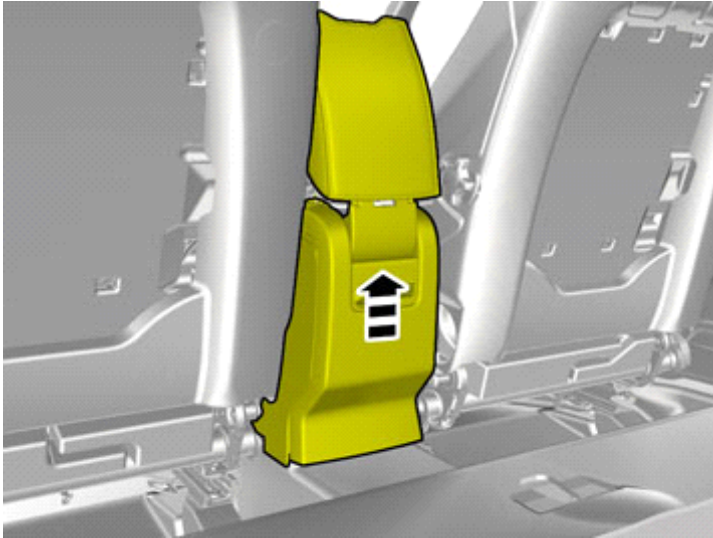
Remove the screws.



Installation instructions, accessories

Volvo Car Corporation Gothenburg, Sweden

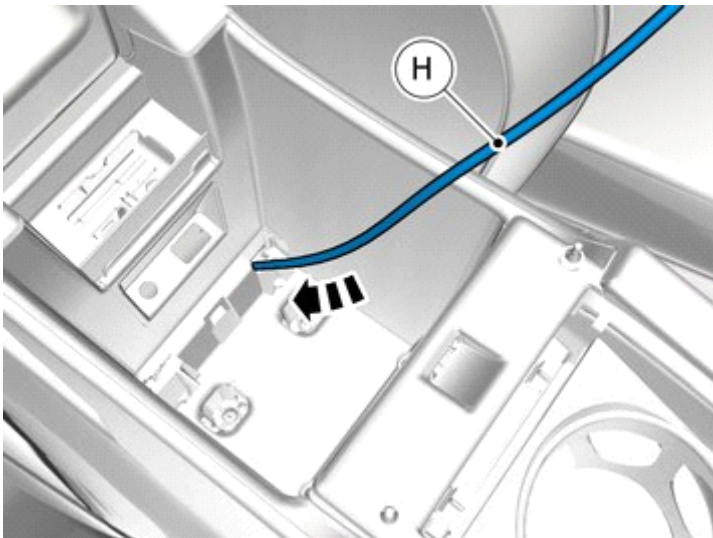
49



IMG-348624

Facilitate cable routing by temporarily raising the floor bracket using a socket or similar.

50



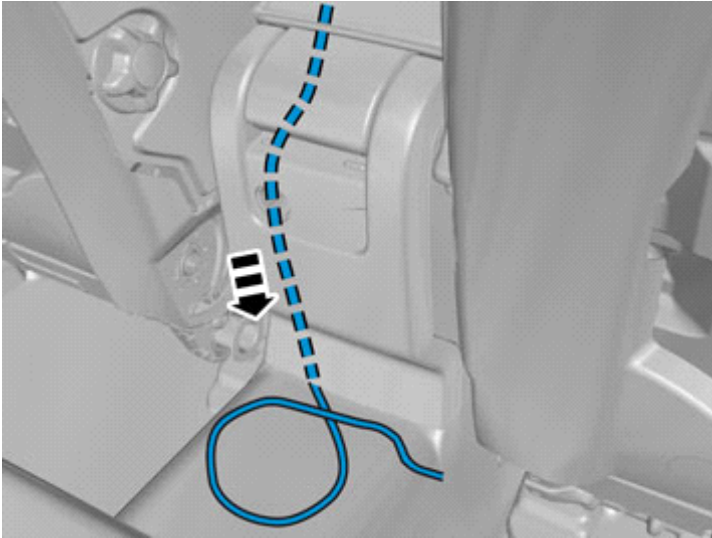
IMG-405913



Installation instructions, accessories

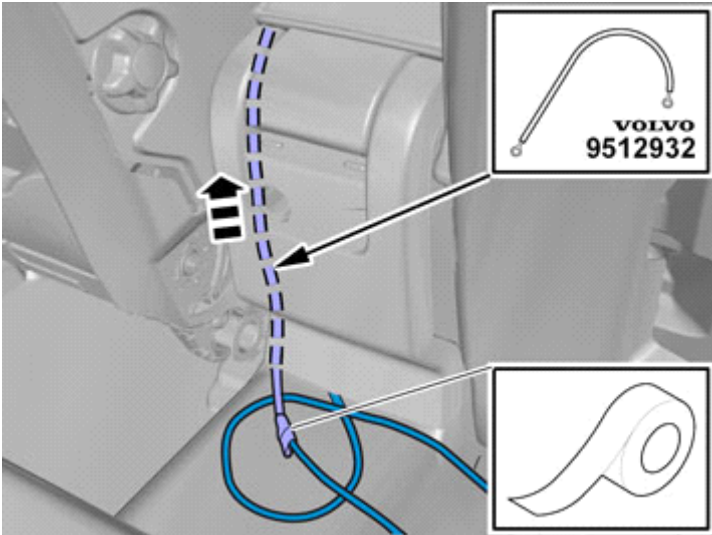
Volvo Car Corporation Gothenburg, Sweden

51



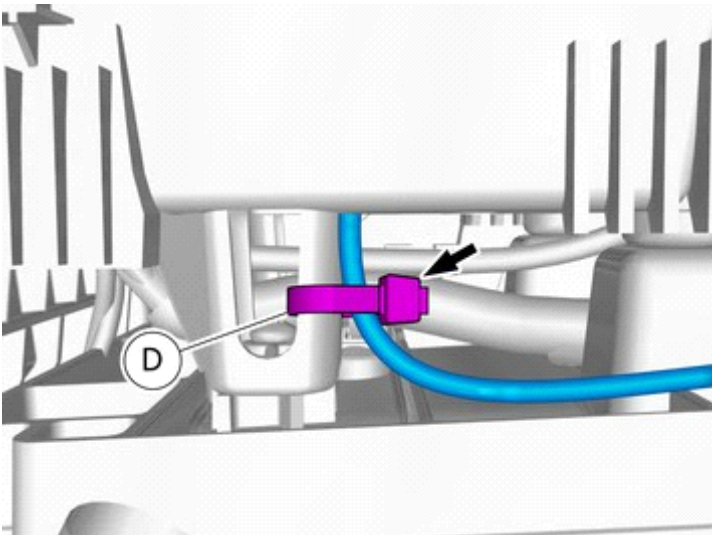
IMG-348617

52



IMG-348619

53



IMG-405853

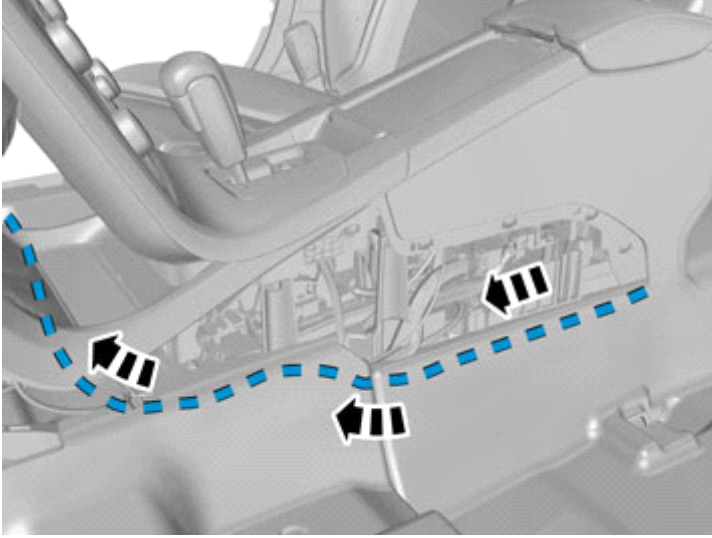
Tighten the cable tie.



Installation instructions, accessories

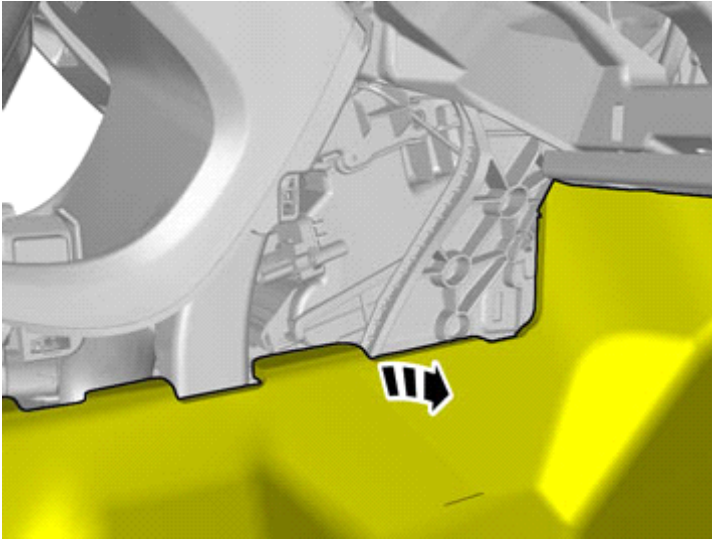
Volvo Car Corporation Gothenburg, Sweden

54



IMG-348987

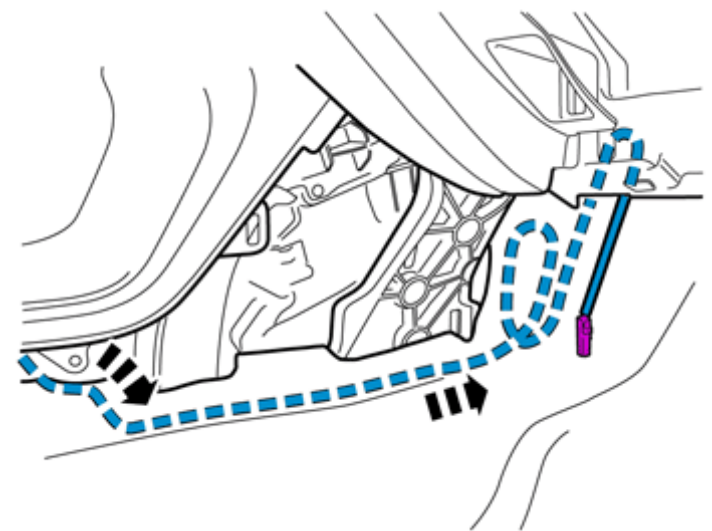
55



IMG-349310

Fold the carpet to the side.

56



IMG-349001

Place any excess inside the floor carpet.

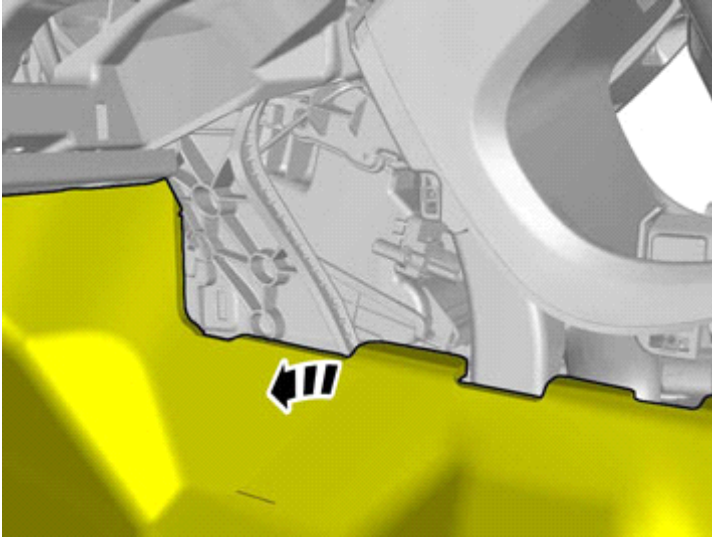


Installation instructions, accessories

Volvo Car Corporation Gothenburg, Sweden

Right-hand drive vehicles

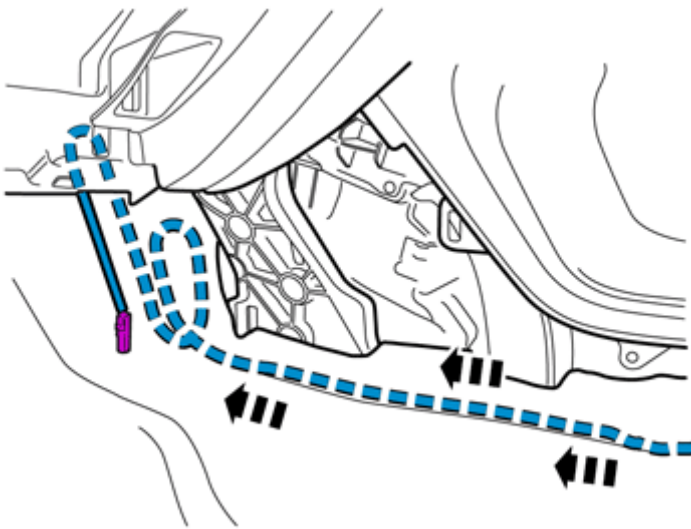
57



IMG-349337

Fold the carpet to the side.

58



IMG-349336

Place any excess inside the floor carpet.

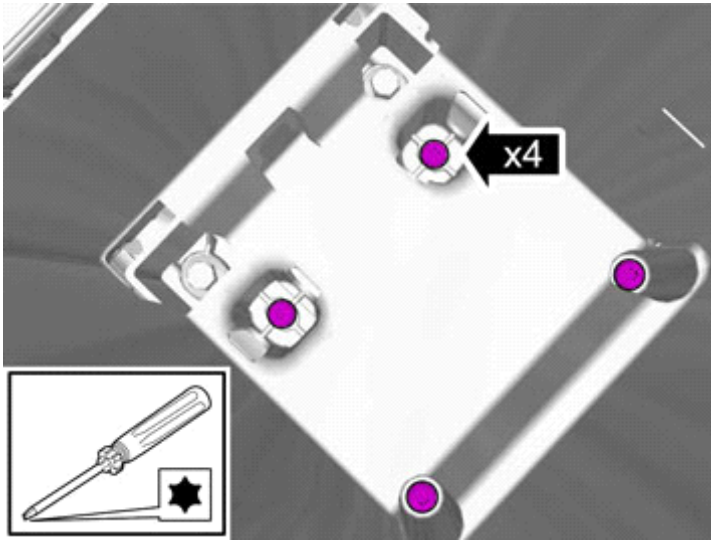
All vehicles



Installation instructions, accessories

Volvo Car Corporation Gothenburg, Sweden

59



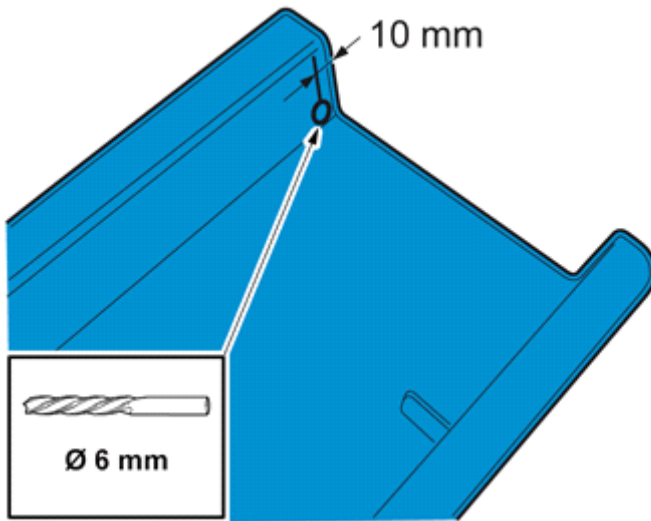
IMG-293023

Caution!

Make sure that no part of the wiring harness is trapped.

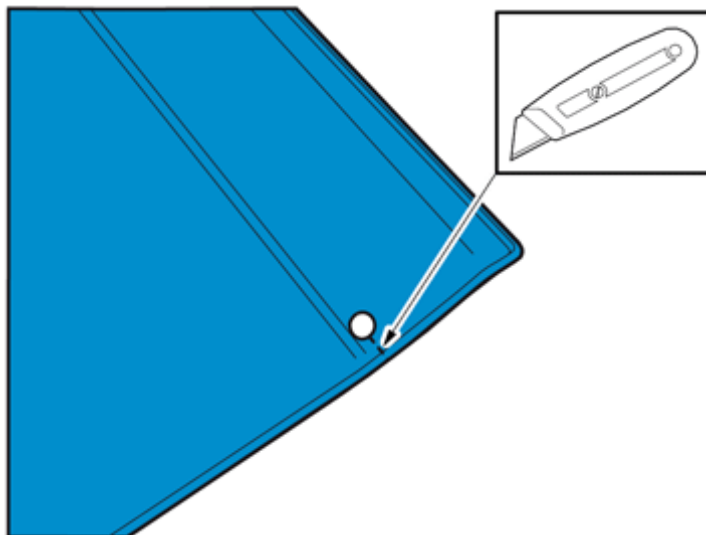
Reinstall the screws.

60



IMG-348606

61



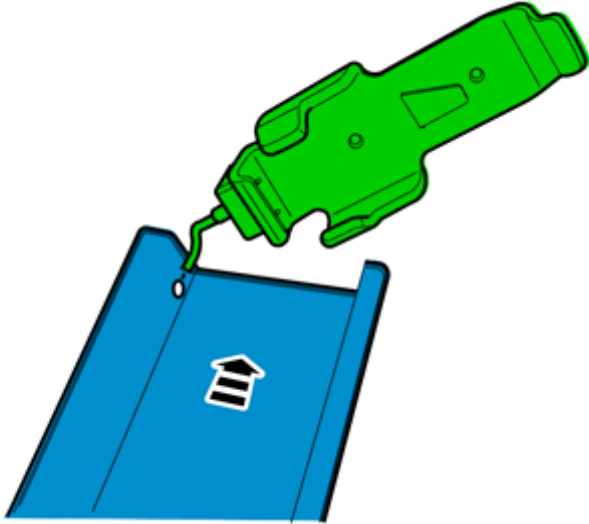
IMG-348607



Installation instructions, accessories

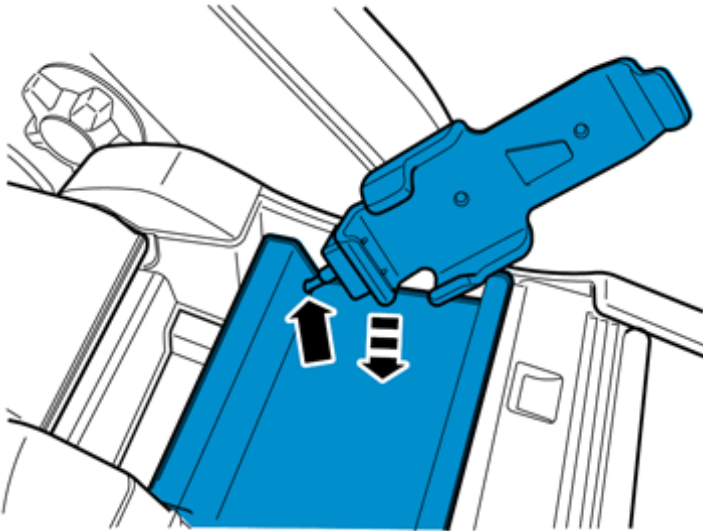
Volvo Car Corporation Gothenburg, Sweden

62



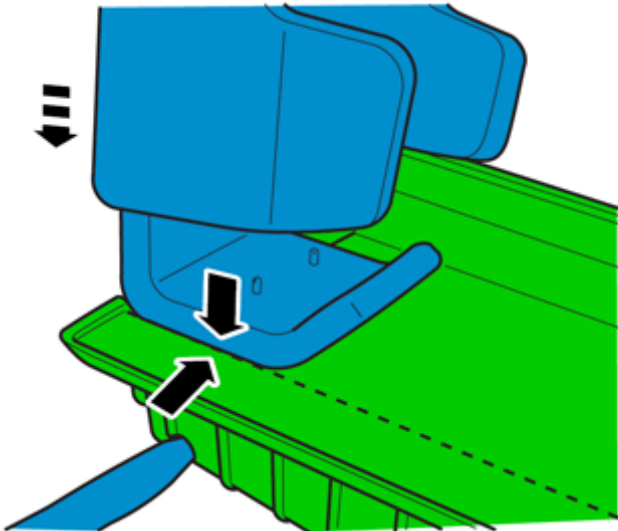
IMG-349298

63



IMG-349061

64



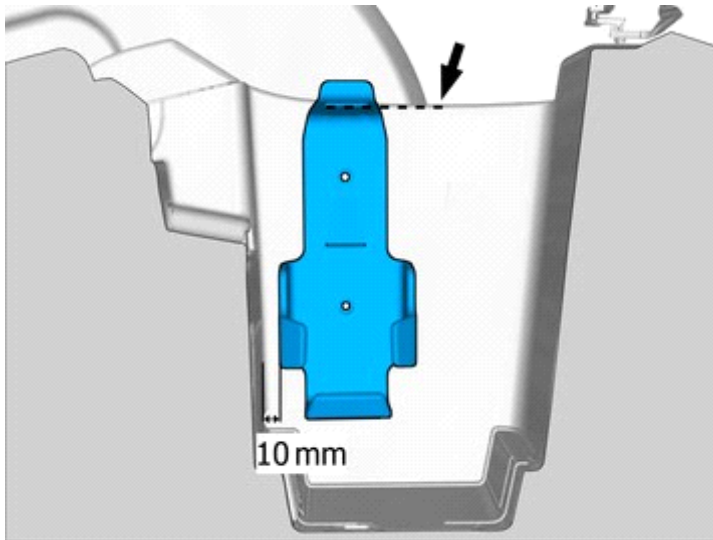
IMG-349063



Installation instructions, accessories

Volvo Car Corporation Gothenburg, Sweden

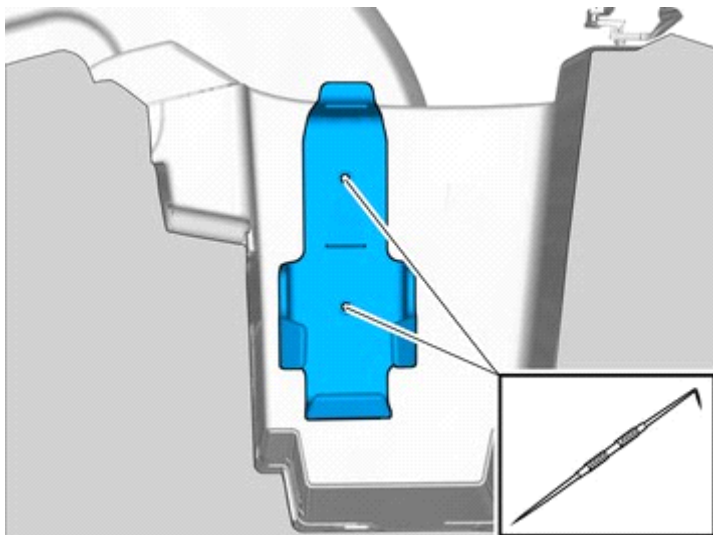
65



IMG-407440

Measure

66



IMG-407441

Use: Scribe

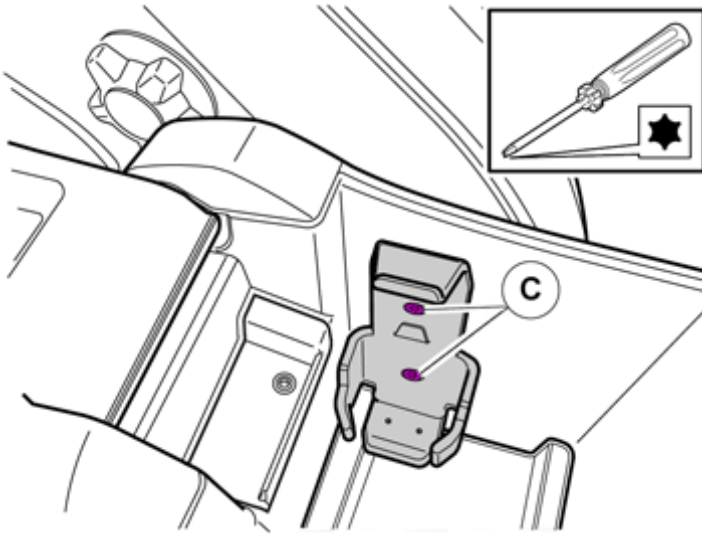
Make holes in the storage compartment using the point of a scribe.



Installation instructions, accessories

Volvo Car Corporation Gothenburg, Sweden

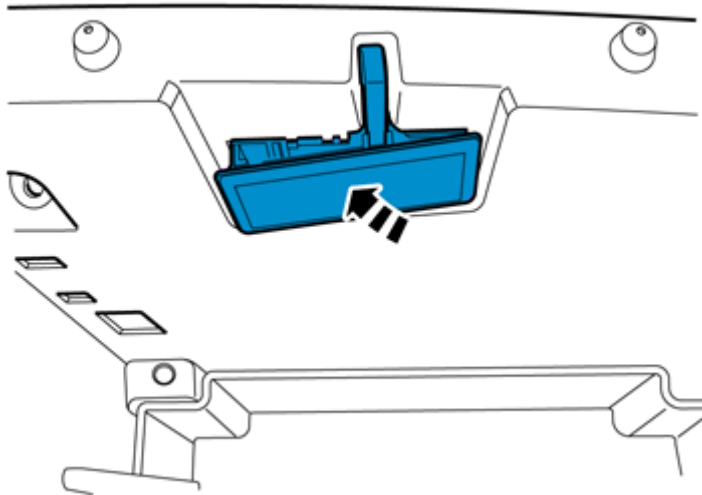
67



Install the screws.

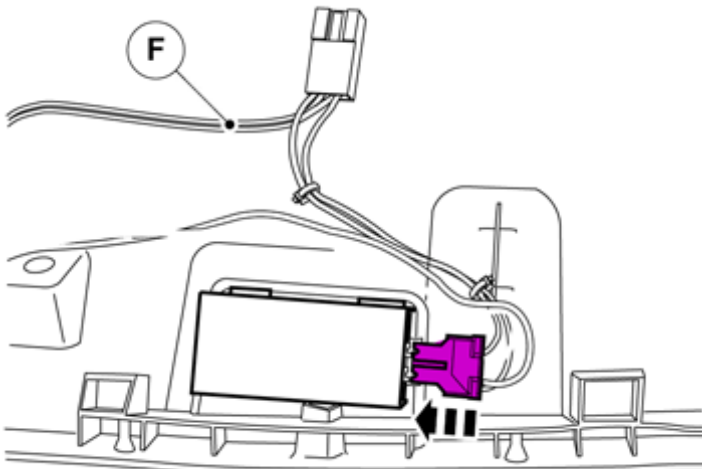
IMG-349064

68



IMG-349065

69



Connect the connector.

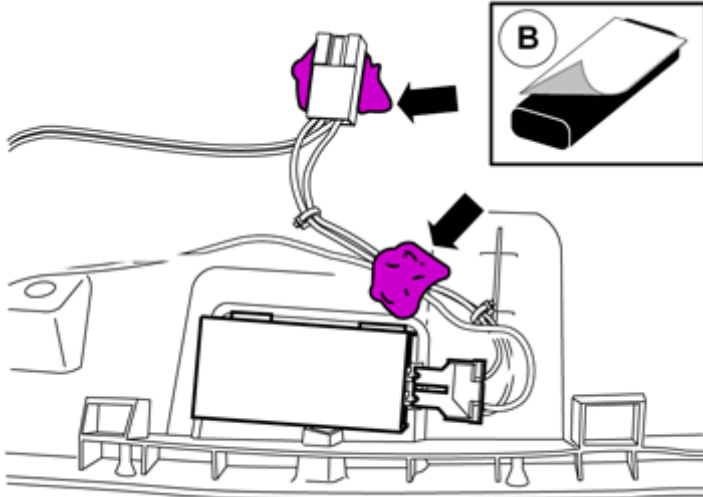
IMG-349498



Installation instructions, accessories

Volvo Car Corporation Gothenburg, Sweden

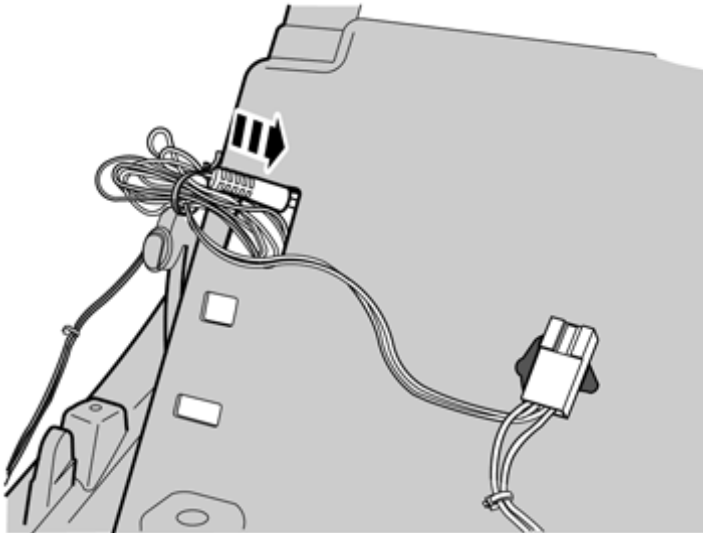
70



Install the part with butyl tape.

IMG-349067

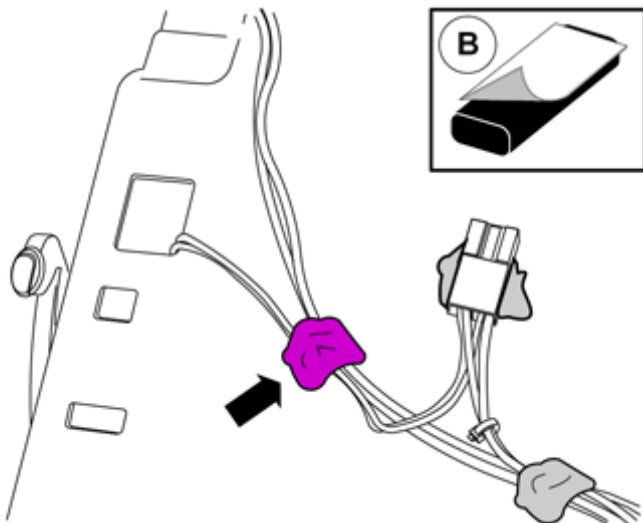
71



Pull the wiring through.

IMG-349068

72



Install the part with butyl tape.

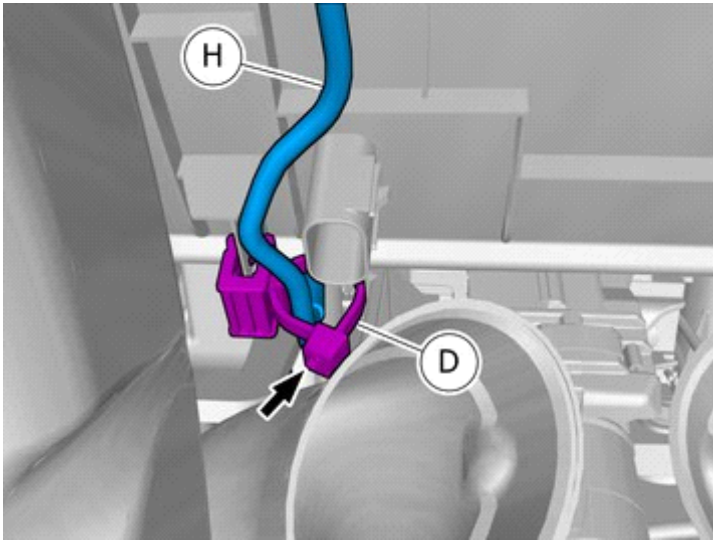
IMG-349072



Installation instructions, accessories

Volvo Car Corporation Gothenburg, Sweden

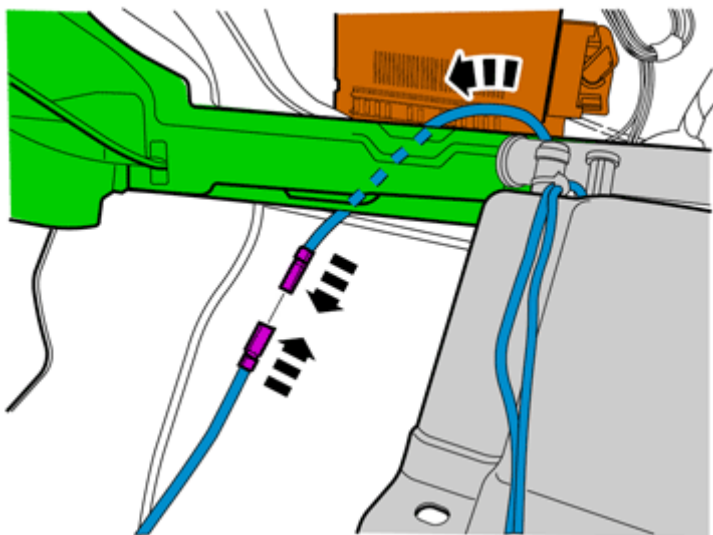
73



IMG-405906

Tighten the cable tie.

74



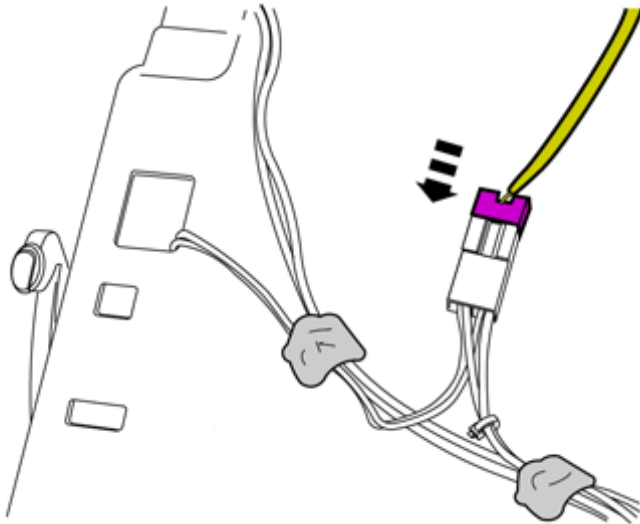
IMG-349073



Installation instructions, accessories

Volvo Car Corporation Gothenburg, Sweden

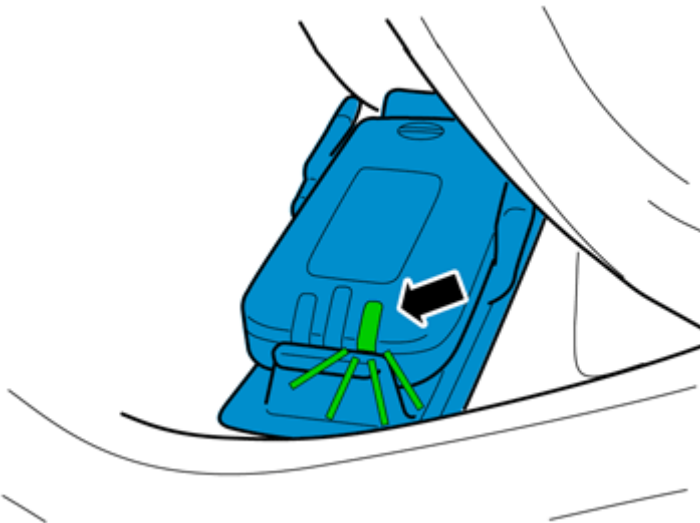
75



Connect the connector.

IMG-349074

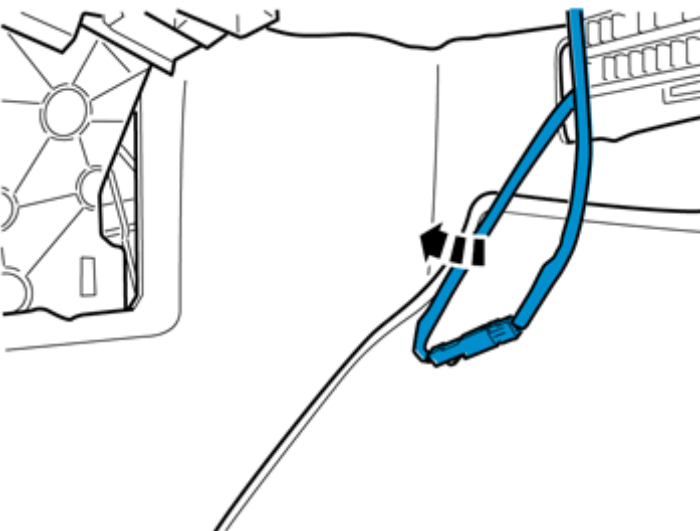
76



The lamp with the battery symbol should flash if the power supply is correct, if not, the black connector must be turned to switch poles.

IMG-349075

77



Reinstall the removed parts in reverse order.

Place any excess inside the floor carpet.

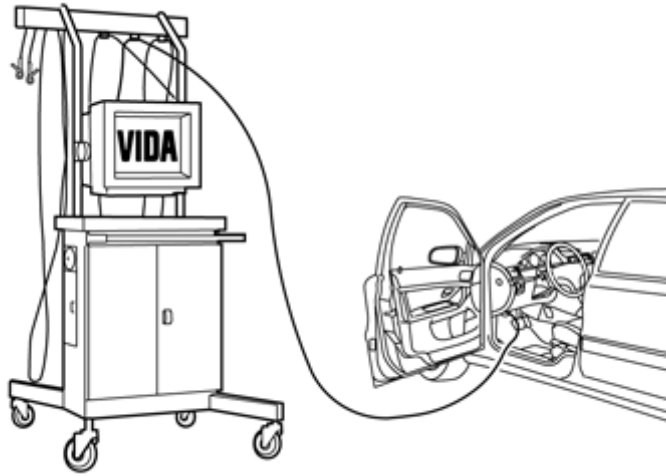
IMG-349076



Installation instructions, accessories

Volvo Car Corporation Gothenburg, Sweden

78



IMG-242268

Download software (application) for the accessory's function according to the service information in VIDA. See VIDA or the accessories catalogue for software part number.